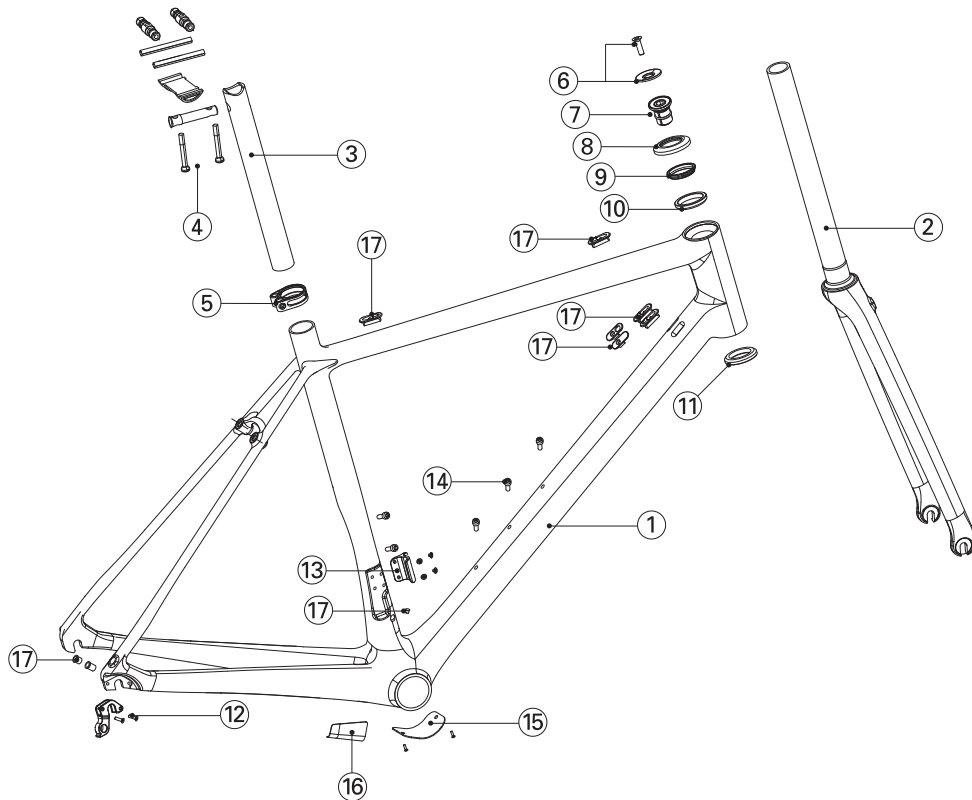


HURU Disc Brake Frameset comes with the following parts:

- | | |
|---|---|
| 1/ HURU Disc Brake Frame | 13/ Front Derailleur Hanger (Not Removable) |
| 2/ HURU Disc Fork | 14/ 5x Water Bottle Cage Mount M5 Bolts |
| 3/ HURU 27.2mm Carbon Seatpost | 15/ Cable Routing Access Cover w/ 2x M3 Bolts |
| 4/ Saddle Rail Clamp (8 Nm) | 16/ Stainless Steel Alloy Guard |
| 5/ Seatclamp (6 Nm) | 17/ 2x Derailleur Cable Stops (Down Tube) |
| 6/ 1x Headset Top Cap and 1x M6 Bolt | Di2 Cable Stop (Down Tube) |
| 7/ Headset Expander (5-7Nm) | 2x Blank Cable Stops (Down Tube) |
| 8/ CHAPTER2 Headset Cover | 1x Rear Derailleur Cable Stop |
| 9/ Headset Compression Ring | 1x Rear Derailleur Di2 Rubber Grommit |
| 10/ Headset Upper Race IS42/28.6 45/45D H8 | Di2 Rubber Plug |
| 11/ Headset Upper Race IS42/30 45/45D H8 | 18/ Fork Removable Thru Axle Drop Out |
| 12/ Rear Derailleur Hanger w/ Thru Axle 1x M5 Bolts | w/ 1x M4 bolt |





HURU Rim Brake Frameset comes with the following parts:

- | | |
|--|---|
| 1/ HURU Rim Brake Frame | 13/ Front Derailleur Hanger (Not Removable) |
| 2/ HURU Rim Fork | 14/ 5x Water Bottle Cage Mount M5 Bolts |
| 3/ HURU 27.2mm Carbon Seatpost | 15/ Cable Routing Access Cover w/ 2x M3 Bolts |
| 4/ Saddle Rail Clamp (8 Nm) | 16/ Stainless Steel Alloy Guard |
| 5/ Seatclamp (6 Nm) | 17/ 2x Derailleur Cable Stops (Down Tube) |
| 6/ 1x Headset Top Cap and 1x M6 Bolt | Di2 Cable Stop (Down Tube) |
| 7/ Headset Expander (5-7Nm) | 2x Blank Cable Stops (Down Tube) |
| 8/ CHAPTER2 Headset Cover | 2x Brake Cable Stop (Top Tube) |
| 9/ Headset Compression Ring | 1x Rear Derailleur Cable Stop |
| 10/ Headset Upper Race IS42/28.6 45/45D H8 | 1x Rear Derailleur Di2 Rubber Grommit |
| 11/ Headset Upper Race IS42/30 45/45D H8 | Di2 Rubber Plug |
| 12/ Rear Derailleur Hanger w 2x M3 Bolts | |

