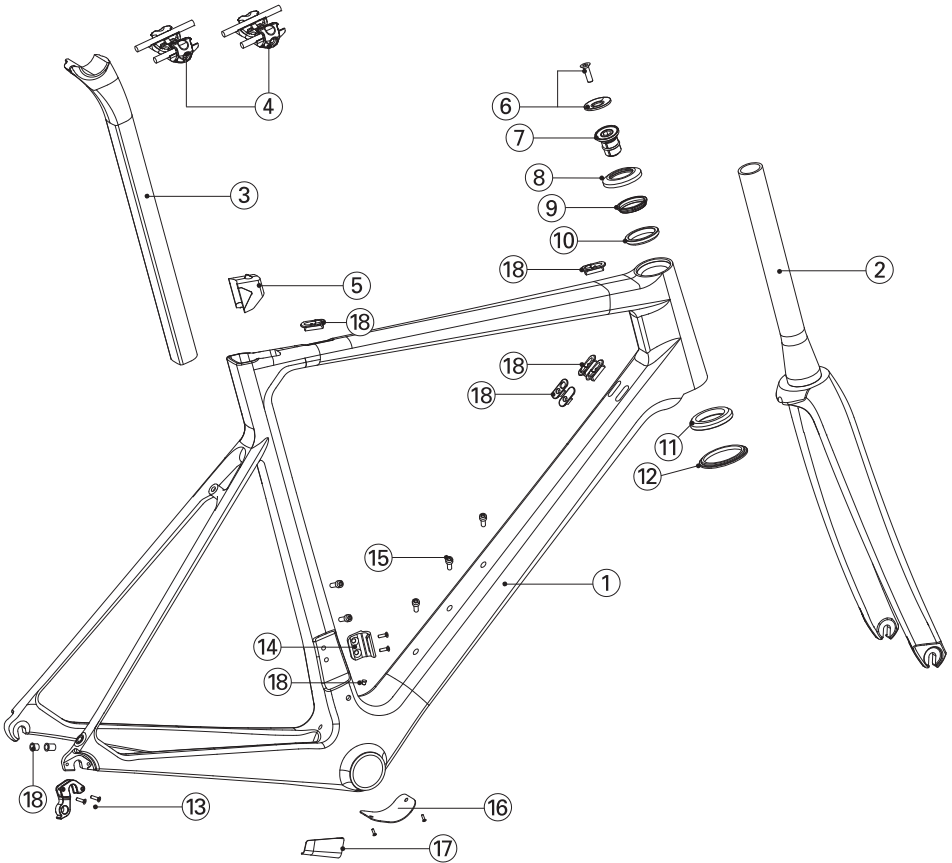


TERE Disc Brake Frameset comes with the following parts:

- | | |
|----------------------------------------------|-------------------------------------------------------------------------|
| 1/ TERE Disc Brake Frame | 13/ Rear Derailleur Hanger w/ Thru Axle 1x M5 Bolt |
| 2/ TERE Disc Fork | 14/ Front Derailleur Hanger w 2x M5 Bolts |
| 3/ TERE Seatpost | 15/ 5x Water Bottle Cage Mount M5 Bolts |
| 4/ Saddle Rail Clamp 12Nm (7mm and 7x9mm) | 16/ Cable Routing Access Cover w/ 2x M3 Bolts |
| 5/ Seatclamp (9Nm) | 17/ Stainless Steel Alloy Guard |
| 6/ 1x Headset Top Cap and 1x M6 Bolt | 18/ 2x Derailleur Cable Stops (Down Tube)
Di2 Cable Stop (Down Tube) |
| 7/ Headset Expander (5-7Nm) | 2x Blank Cable Stops (Down Tube) |
| 8/ CHAPTER2 Headset Cover | 1x Rear Derailleur Cable Stop |
| 9/ Headset Compression Ring | 1x Rear Derailleur Di2 Rubber Grommit |
| 10/ Headset Upper Race IS42/28.6 45/45D H6.5 | Di2 Rubber Plug |
| 11/ Headset Lower Race IS52/40 45/45D H7 | 19/ Fork Removable Thru Axle Drop Out w/ 1x M4 bolt |
| 12/ Headset Crown Race | |





TERE Rim Brake Frameset comes with the following parts:

- | | |
|----------------------------------------------|-----------------------------------------------|
| 1/ TERE Rim Brake Frame | 13/ Rear Derailleur Hanger w 2x M3 Bolts |
| 2/ TERE Rim Fork | 14/ Front Derailleur Mount w 2x M5 Bolts |
| 3/ TERE Seatpost | 15/ 5x Water Bottle Cage Mount M5 Bolts |
| 4/ Saddle Rail Clamp 12Nm (7mm and 7x9mm) | 16/ Cable Routing Access Cover w/ 2x M3 Bolts |
| 5/ Seatclamp (9Nm) | 17/ Stainless Steel Alloy Guard |
| 6/ 1x Headset Top Cap and 1x M6 Bolt | 18/ 2x Derailleur Cable Stops (Down Tube) |
| 7/ Headset Expander (5-7Nm) | Di2 Cable Stop (Down Tube) |
| 8/ CHAPTER2 Headset Cover | 2x Blank Cable Stops (Down Tube) |
| 9/ Headset Compression Ring | 2x Brake Cable Stop (Top Tube) |
| 10/ Headset Upper Race IS42/28.6 45/45D H6.5 | 1x Rear Derailleur Cable Stop |
| 11/ Headset Lower Race IS52/40 45/45D H7 | 1x Rear Derailleur Di2 Rubber Grommit |
| 12/ Headset Crown Race | Di2 Rubber Plug |

